

### Features

- 5.1" (129 mm) spout reach
- 1.2 gpm (4.5 lpm) maximum flow rate at 60 psi (4.14 bar)
- Single pin handle allows for both volume and temperature control
- Temperature memory allows faucet to be turned on and off at the temperature set during prior usage
- Includes metal pop-up drain with 1-1/4" metal tailpiece
- Coordinates with Components faucets, accessories, and showering components to complete your bathroom
- KOHLER ceramic disc valves exceed industry longevity standards for a lifetime of durable performance

### Material

- Premium metal construction for durability and reliability
- KOHLER finishes resist corrosion and tarnishing

### Installation

- For single-hole installation
- Preattached flexible supply lines simplify installation

### Water Conservation & Rebates

- This product can help a building earn Water Efficiency points in LEED™ Green Building Rating System



### Codes/Standards

ASME A112.18.1/CSA B125.1  
 NSF/ANSI/CAN 61  
 NSF/ANSI/CAN 372  
 All applicable US Federal and State material regulations  
 DOE - Energy Policy Act 1992  
 EPA WaterSense™  
 California Energy Commission (CEC)  
 ADA  
 ICC/ANSI A117.1  
 CSA B651  
 OBC

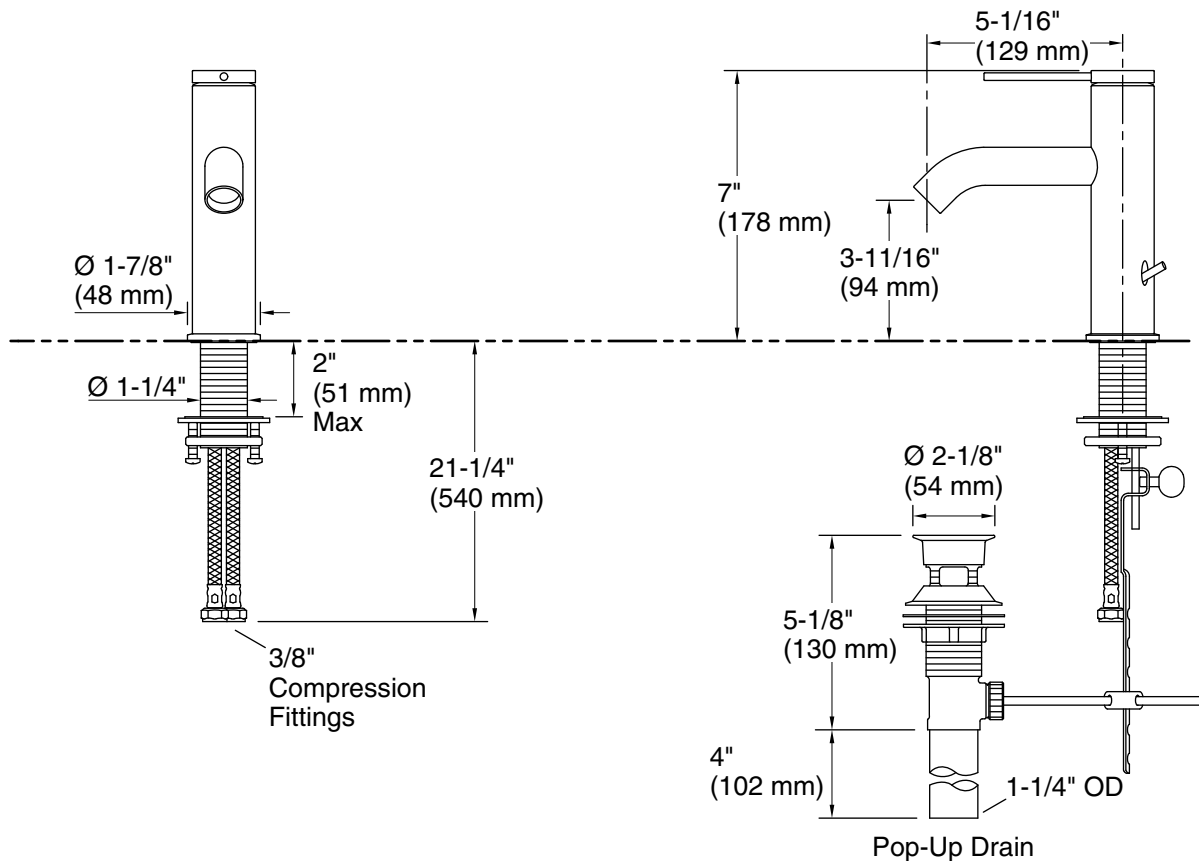
### KOHLER® Faucet Lifetime Limited Warranty

See website for detailed warranty information.

### Available Colors/Finishes

*Color tiles intended for reference only.*

| Color   | Code | Description                    |
|---|------|--------------------------------|
|  | CP   | Polished Chrome                |
|  | BN   | Vibrant™ Brushed Nickel        |
|  | BL   | Matte Black                    |
|  | 2MB  | Vibrant™ Brushed Moderne Brass |
|  | TT   | Vibrant Titanium               |



### Technical Information

All product dimensions are nominal.

#### Faucet:

Flow rate: 1.2 gal/min (4.5 l/min)

Pressure: 60 psi (4.1 bar)

Drain included: Yes

#### Spout:

Spout reach:  $5\text{-}1/16"$  (129 mm)

### Notes

Install this product according to the installation instructions.

ADA compliant for handles only.

ADA, OBC, CSA B651 compliant when installed to the specific requirements of these regulations.